

# A-COILS: RESIDENTIAL EVAPORATORS

CASED AND UNCASED, R410A & R22 Compatible



## PERFORMANCE

Eubank Indoor Coils are designed for use with most brands of outdoor units, and provide a nominal cooling capacity ranges from 24,000 Btu/H to 60,000 Btu/H.

## FEATURES

- Coils are constructed with aluminum fins bonded to internally grooved copper tubing.
- The unit has sweat refrigerant connections.
- The unit provides FPT condensate drain connections.
- Base drain pan is constructed of high grade, heat resistant, corrosion free materials.
- Coils are tested at the factory with extensive leak checks.
- Coils used are certified by UL for safety.
- AHRI certified for system applications with variety of outdoor units. Check AHRI web site for updated information.

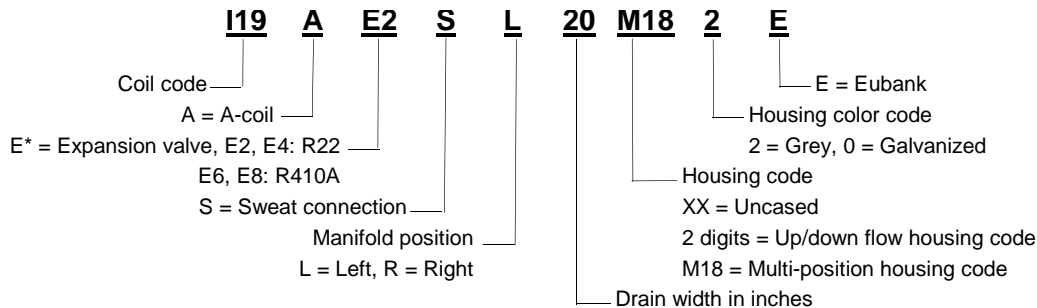
## APPLICATIONS

The unit is suited for both new installations or add on air conditioning, R22 refrigerant or R410A refrigerant depending on the model designation.

The multiple position coil is designed for either

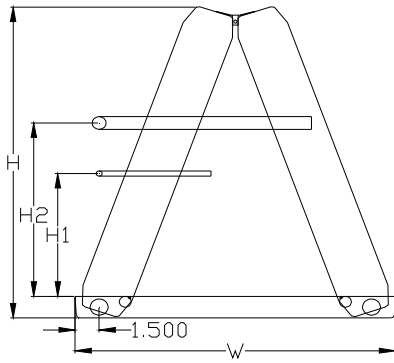
- o Upflow applications, or
- o Draw-through downflow applications (blower is below the coil), or
- o Horizontal airflow applications, left hand. A splash guard may be needed, see installation instruction for details.

## NOMENCLATURE

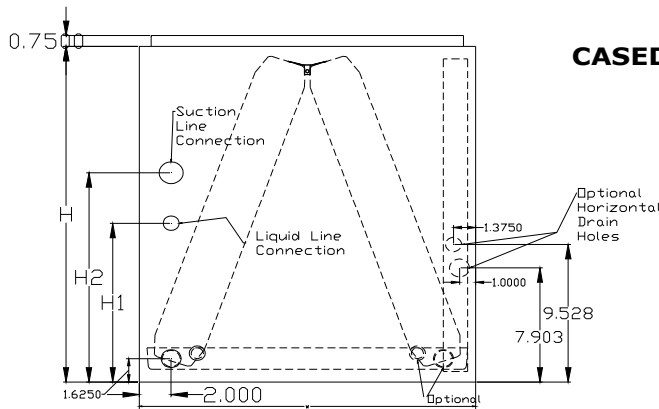
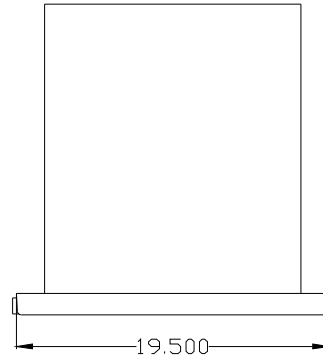


\* 2 = R22, 3 ton and smaller; 4 = R22, 4 ton and larger; 6 = R410A, 3 ton and smaller; 8 = R410A, 4 ton and larger

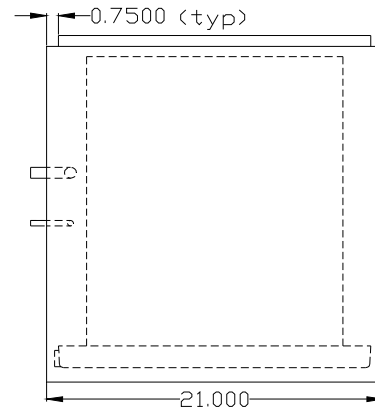
## DIMENSIONS AND WEIGHTS



**UNCASED**



**CASED**



CASE	MODEL No.	Nom. Ton.	Dimensions					Suction Conn.	Liquid Conn.	WT. (Lbs.)
			W	Depth	H	H1 <sup>[1]</sup>	H2 <sup>[1]</sup>			
<b>UP-DOWN FLOW</b>										
UNCASED	I10AE*SL13XX0E	1.5	13"	19-1/2"	14"	4 1/4	7 3/4	7/8 I.D.	3/8" I.D.	25
	I12AE*SL13XX0E	2.0	13"	19-1/2"	18"	10	13 1/2	7/8 I.D.	3/8" I.D.	27
	I65AE*SL13XX0E	2.5	13"	19-1/2"	14"	4 1/4	7 3/4	7/8 I.D.	3/8" I.D.	28
	I15AE*SL16XX0E	3.0	16-1/2"	19-1/2"	14"	4 1/4	7 3/4	7/8 I.D.	3/8" I.D.	34
	I15AE*SL20XX0E	3.0	20"	19-1/2"	14"	4 1/4	7 3/4	7/8 I.D.	3/8" I.D.	37
	I19AE*SL16XX0E	4.0	16-1/2"	19-1/2"	22"	10	13 1/2	7/8 I.D.	3/8" I.D.	59
	I19AE*SL20XX0E	4.0	20"	19-1/2"	22"	10	13 1/2	7/8 I.D.	3/8" I.D.	61
	I19AE*SL23XX0E	4.0	23"	19-1/2"	22"	10	13 1/2	7/8 I.D.	3/8" I.D.	77
	I73AE*SL20XX0E	5.0	20"	19-1/2"	28"	18	21 1/2	1 1/8 O.D.	3/8" I.D.	81
	I73AE*SL23XX0E	5.0	23"	19-1/2"	28"	18	21 1/2	1 1/8 O.D.	3/8" I.D.	97
CASED	I10AE*SL13082E	1.5	14-1/2"	21"	15-1/4"	5 1/4	8 3/4	7/8 I.D.	3/8" I.D.	39
	I12AE*SL13102E	2.0	14-1/2"	21"	19-1/4"	11	14 1/2	7/8 I.D.	3/8" I.D.	42
	I65AE*SL13308E	2.5	14-1/2"	21"	15-1/4"	5 1/4	8 3/4	7/8 I.D.	3/8" I.D.	43
	I15AE*SL16322E	3.0	17-1/2"	21"	19-1/4"	11	14 1/2	7/8 I.D.	3/8" I.D.	49
	I15AE*SL20572E	3.0	21"	21"	19-1/4"	11	14 1/2	7/8 I.D.	3/8" I.D.	52
	I19AE*SL16342E	4.0	17-1/2"	21"	23-1/4"	11	14 1/2	7/8 I.D.	3/8" I.D.	72
	I19AE*SL20592E	4.0	21"	21"	23-1/4"	11	14 1/2	7/8 I.D.	3/8" I.D.	76
	I19AE*SL23812E	4.0	24-1/2"	21"	23-1/4"	11	14 1/2	7/8 I.D.	3/8" I.D.	92
	I73AE*SL20862E	5.0	21"	21"	32-1/4"	19	22 1/2	1 1/8 O.D.	3/8" I.D.	96
	I73AE*SL23862E	5.0	24-1/2"	21"	32-1/4"	19	22 1/2	1 1/8 O.D.	3/8" I.D.	112
<b>MULTI-POSITION</b>										
CASED	I10AE*SL13M152E	1.5	14-1/2"	21"	15-1/4"	5 1/4	8 3/4	7/8 I.D.	3/8" I.D.	50
	I12AE*SL13M152E	2.0	14-1/2"	21"	19-1/4"	11	14 1/2	7/8 I.D.	3/8" I.D.	52
	I15AE*SL16M162E	3.0	17-1/2"	21"	19-1/4"	11	14 1/2	7/8 I.D.	3/8" I.D.	59
	I15AE*SL20M172E	3.0	21"	21"	19-1/4"	11	14 1/2	7/8 I.D.	3/8" I.D.	62
	I15AE*SL20M202E	3.0	24-1/2"	21"	23-1/4"	11	14 1/2	7/8 I.D.	3/8" I.D.	65
	I19AE*SL16M162E	4.0	17-1/2"	21"	23-1/4"	11	14 1/2	7/8 I.D.	3/8" I.D.	82
	I19AE*SL20M192E	4.0	21"	21"	23-1/4"	11	14 1/2	7/8 I.D.	3/8" I.D.	86
	I19AE*SL23M202E	4.0	24-1/2"	21"	23-1/4"	11	14 1/2	7/8 I.D.	3/8" I.D.	102
	I73AE*SL20M222E	5.0	21"	21"	32-1/4"	19	22 1/2	1 1/8 O.D.	3/8" I.D.	106
	I73AE*SL23M222E	5.0	24-1/2"	21"	32-1/4"	19	22 1/2	1 1/8 O.D.	3/8" I.D.	122